

□ Function & Features

- Accepting direct input from an RTD
- Linearization
- Burnout protection
- Four-way isolation (input/output1/output2/power)
- Protection Input and output TVS diode
- Analog One or Two outputs (independent output module)
- Universal power input
- Power fuse (240V 0.12A)

□ Input & Output

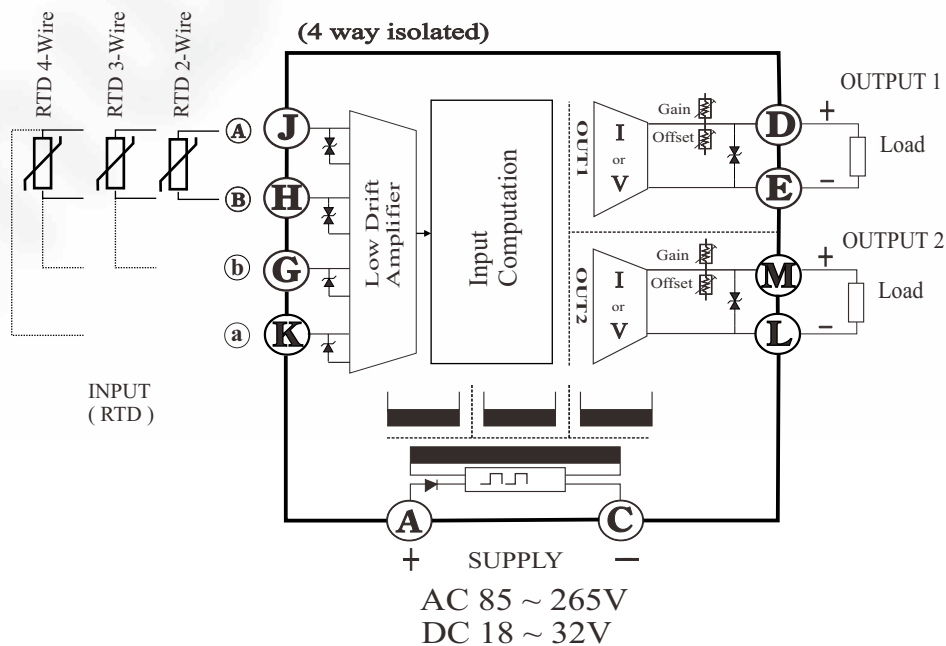
- INPUT : RTD
 - Max. measuring Range:
RTD Temperature -200 ~ 850.0 °C (Excitation approx. 0.2~0.3mA)
Allowable lead-wire resistance : 20Ω per wire
- Two Independent Outputs
 - DC Current : 0(4)~20 mA DC max. (Load resistance : 600Ω max.)
 - DC Voltage : -10V min. ~ +10V DC max. (Load Resistance : 10 KΩ or more)
 - 2-Wire Transmitter(4~20mA DC), supply out voltage (9 V ~ 35 V DC)



□ GENERAL SPECIFICATIONS

- Housing Material : polyamide UL94.V0 Grey
- Rated wire size : 0.3~2.5mm² / 22~14 AWG
- Isolation : Input to Output to Power
- Easy Calibration of the Gain (Max. ±15% of F.S) and Offset(Max. ±15% of F.S)
- Power Supply : DC 18~32V or AC 85~265V
- Operating Temperature : -5~55 °C (storage : -20~70 °C)
- Operating Humidity : 90% RH max. (Non-condensing)
- Mounting : Rail Mounting
- Dimension : 22.5(W) X 75(H) X 107(D) (Unit : mm)
- Weight : about 140g

SCHEMATIC CIRCUIT & CONNECTION DIAGRAM



MODEL & SUFFIX CODE

SL-NRTD-

Input Type Selection

- Input Type & Temperature range

- A : 2-Wire : Pt 100 Ω -200~850℃
- B : 3-Wire : Pt 100 Ω -200~850℃
- C : 4-Wire : Pt 100 Ω -200~850℃

R : Other Special Spec.

Output Type & Range Selection (Available for Output 1 & Output 2)

- 0 : Not Used
- 1 : DC 4~20mA (Load Resistance : 0~600 Ω)
- 2 : DC 0~20mA (Load Resistance : 0~600 Ω)
- 3 : DC 1~5V (Load Resistance : 5 KΩ or more)
- 4 : DC 0~5V (Load Resistance : 5 KΩ or more)
- 5 : DC 2~10V (Load Resistance : 10 KΩ or more)
- 6 : DC 0~10V (Load Resistance : 10 KΩ or more)
- 7 : DC -5~+5V (Load Resistance : 10 KΩ or more)
- 8 : DC -10~+10V (Load Resistance : 10 KΩ or more)
- 9 : 2-Wire Transmitter(4~20mA DC) (9V ~ 35V DC)

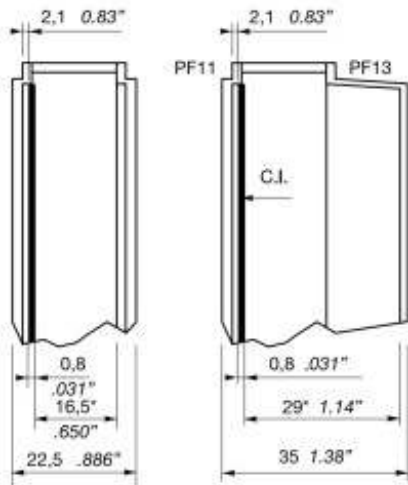
R : Other Special Spec.

Power Supply

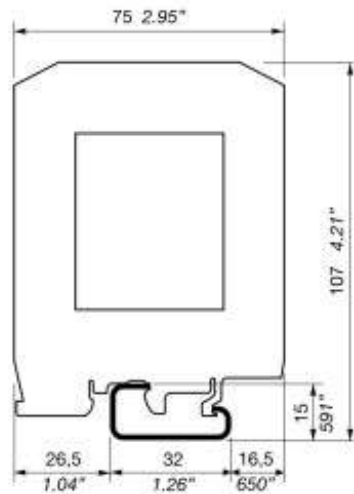
- Z : AC 85~265V
- Y : DC 18~32V
- R : Other Special Spec.

DIMENSION & MOUNTING METHOD

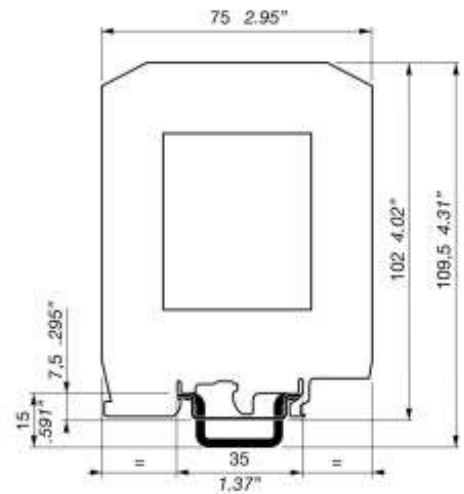
* : Max. height of components



on rail EN 50035
35 x 7,5



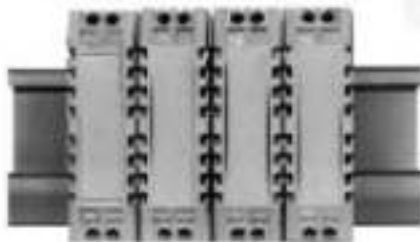
on rail EN 50022



quick-connect tab
terminal dimensions

horizontal assembly

A



vertical assembly

B

