

□ Function & Features

- Accepting direct input from an RTD
- Linearization
- Burnout protection
- Front-programmable 4-digit LED display
- Four-way isolation (input/output1/output2/power)
- Protection Input and output TVS diode
- Analog One or Two outputs (independent output module)
- Universal power input
- Power fuse (240V 0.12A)

□ Input & Output

- INPUT : RTD
 - Max. measuring Range:
 - RTD Temperature -200 ~ 850.0 °C (Excitation approx. 0.2~0.3mA)
 - Allowable lead-wire resistance : 20Ω per wire
- Two Independent Outputs
 - DC Current : 0(4)~20 mA DC max. (Load resistance : 600Ω max.)
 - DC Voltage : -10V min. ~ +10V DC max. (Load Resistance : 10 KΩ or more)
 - 2-Wire Transmitter(4~20mA DC), supply out voltage (9 V ~ 35 V DC)
 - Easy Calibration of the Gain (Max. ±5% of F.S) and Offset(Max. ±5% of F.S)



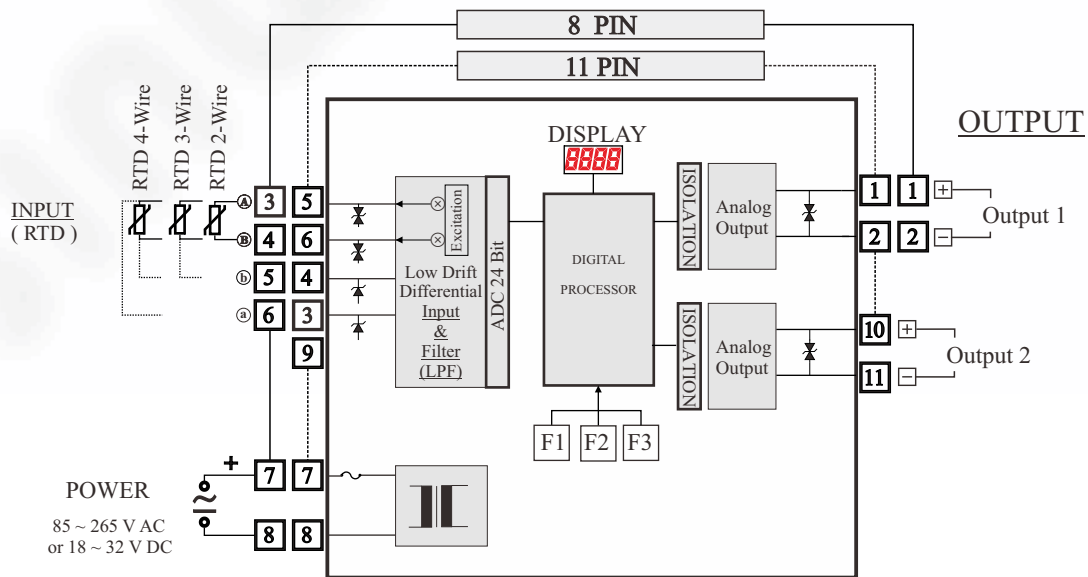
□ INSTALLATION

- Power supply : AC 85 ~ 265V or DC 18 ~ 32V (about 3VA)
- Operating temperature : -5 ~ 55 °C (23 ~ 131 °F)
- Operating humidity : 10 ~ 90 % RH (non-condensing)
- Construction : Plug-in
- Connection : M3.5 Screw terminals
- Housing material : flame-retardant Poly Carbonate (Black)
- Dimension : W52 x H77 x D112mm (2.04" x 3.03" x 4.40")
- Weight : about 320g

□ PERFORMANCE

- Accuracy : $\pm 0.1\%$
- Temp. coefficient : <math>< \pm 0.015\% / ^\circ\text{C}</math>
- Response time : <math>< 0.3\text{ Sec.}</math> (0~90%, DC input) Filter set to the '0'
- Insulation resistance : 100 MΩ whit 500VDC
- Dielectric strength : AC 2000V / Min.
- Isolation : Input / Output 1 / Output 2 / Power
- Display range : 4 Digits (-1999 ~ 9999)

SCHEMATIC CIRCUIT & CONNECTION DIAGRAM



MODEL & SUFFIX CODE

NRTD -

Input Type Selection

- Input Type & Temperature range

- A: RTD 2-Wire : Pt 100/500/1000 Ω -200~850 °C
- B: RTD 3-Wire : Pt 100/500/1000 Ω -200~850 °C
- C: RTD 4-Wire : Pt 100/500/1000 Ω -200~850 °C

R : Other Special Spec.

Output Type & Range Selection (Available for Output 1 & Output 2)

- 0 : Not Used
- 1 : DC 4~20mA (Load Resistance : 0~600 Ω)
- 2 : DC 0~20mA (Load Resistance : 0~600 Ω)
- 3 : DC 1~5V (Load Resistance : 5 KΩ or more)
- 4 : DC 0~5V (Load Resistance : 5 KΩ or more)
- 5 : DC 2~10V (Load Resistance : 10 KΩ or more)
- 6 : DC 0~10V (Load Resistance : 10 KΩ or more)
- 7 : DC -5~+5V (Load Resistance : 10 KΩ or more)
- 8 : DC -10~+10V (Load Resistance : 10 KΩ or more)
- 9 : 2-Wire Transmitter(4~20mA DC) (9V ~ 35V DC)
- A : Frequency output(Voltage)
- B : Frequency output(Open Collect(Drain))

R : Other Special Spec.

Power Supply

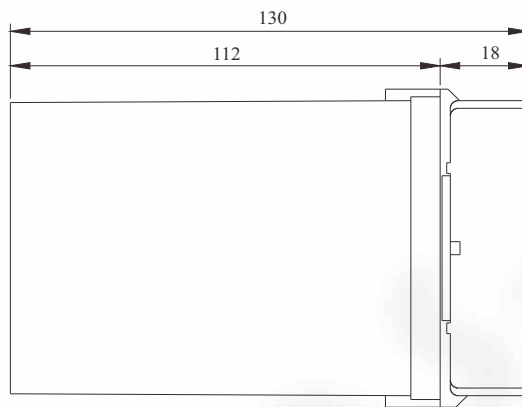
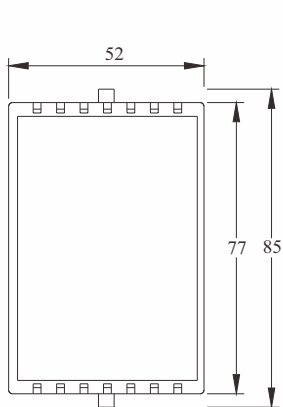
- Z : AC 85~265V
- Y : DC 18~32V

R : Other Special Spec.

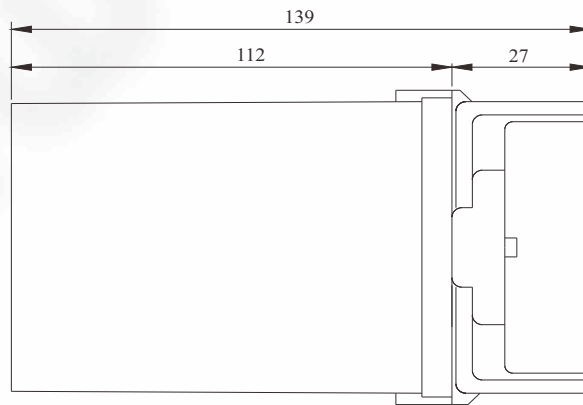
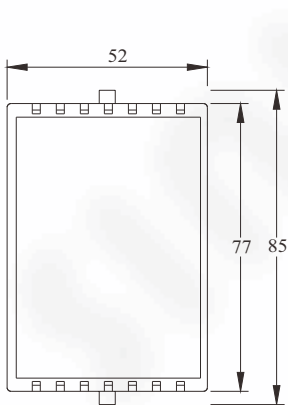
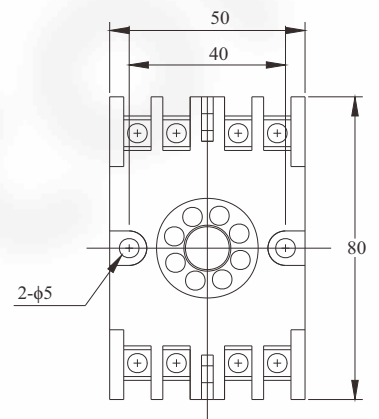
Socket

- A : 8 PIN
- B : 11 PIN

DEMENSION



(8 PIN SOCKET)



(11 PIN SOCKET)

