

□ Function & Features

- Provides a standard DC output proportional to a potentiometer or slidewire position input
- Constant current excitation
- Four-way isolation (input/output1/output2/power)
- Protection Input and output TVS diode
- Analog One or Two outputs (independent output module)
- Universal power input
- Power fuse (240V/0.12A)

□ Input & Output

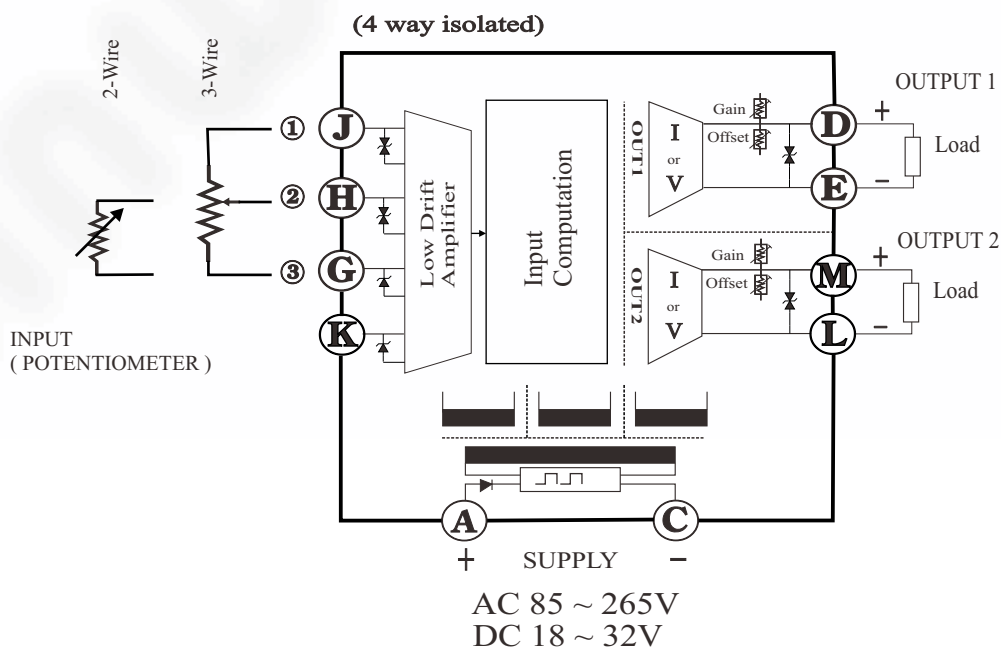
- INPUT : Potentiometer
 - Max. measuring Range:
Resistance : 100 Ω ~ 200 KΩ
- Two Independent Outputs
 - DC Current : 0(4)~20 mA DC max. (Load resistance : 600Ω max.)
 - DC Voltage : -10V min. ~ +10V DC max. (Load Resistance : 10 KΩ or more)
 - 2-Wire Transmitter(4~20mA DC), supply out voltage (9 V ~ 35 V DC)



□ GENERAL SPECIFICATIONS

- Housing Material : polyamide UL94.V0 Grey
- Rated wire size : 0.3~2.5mm² / 22~14 AWG
- Isolation : Input to Output to Power
- Easy Calibration of the Gain (Max. ±20% of F.S) and Offset(Max. ±20% of F.S)
- Power Supply : DC 18~32V or AC 85~265V
- Operating Temperature : -5~55 °C (storage : -20~70 °C)
- Operating Humidity : 90% RH max. (Non-condensing)
- Mounting : Rail Mounting
- Dimension : 22.5(W) X 75(H) X 107(D) (Unit : mm)
- Weight : about 140g

SCHEMATIC CIRCUIT & CONNECTION DIAGRAM



MODEL & SUFFIX CODE

SL-NPMC-

Input Type Selection

- A : POTENTIOMETER 3-Wire : 100 Ω ~ 200 KΩ
- B : POTENTIOMETER 2-Wire : 100 Ω ~ 200 KΩ ******(Decision when ordering)
- R : Other Special Spec.

Output Type & Range Selection (Available for Output 1 & Output 2)

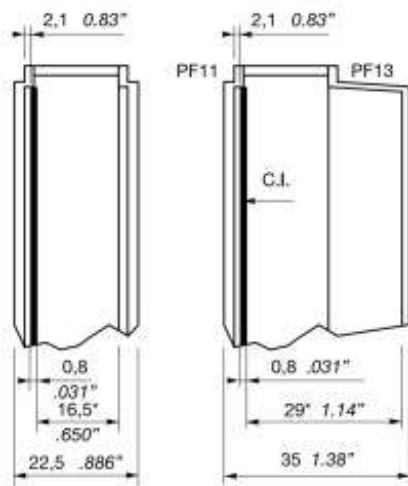
- 0 : Not Used
- 1 : DC 4~20mA (Load Resistance : 0~600 Ω)
- 2 : DC 0~20mA (Load Resistance : 0~600 Ω)
- 3 : DC 1~5V (Load Resistance : 5 KΩ or more)
- 4 : DC 0~5V (Load Resistance : 5 KΩ or more)
- 5 : DC 2~10V (Load Resistance : 10 KΩ or more)
- 6 : DC 0~10V (Load Resistance : 10 KΩ or more)
- 7 : DC -5~+5V (Load Resistance : 10 KΩ or more)
- 8 : DC -10~+10V (Load Resistance : 10 KΩ or more)
- 9 : 2-Wire Transmitter(4~20mA DC) (9V ~ 35V DC)
- A : Frequency output(Voltage)
- B : Frequency output(Open Collect(Drain))
- C : Serial Port RS-485
- D : Serial Port RS-232
- R : Other Special Spec.

Power Supply

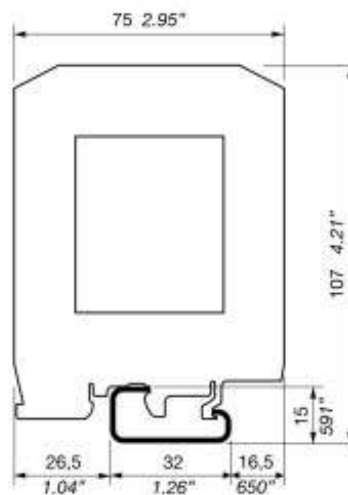
- Z : AC 85~265V
- Y : DC 18~32V
- R : Other Special Spec.

DIMENSION & MOUNTING METHOD

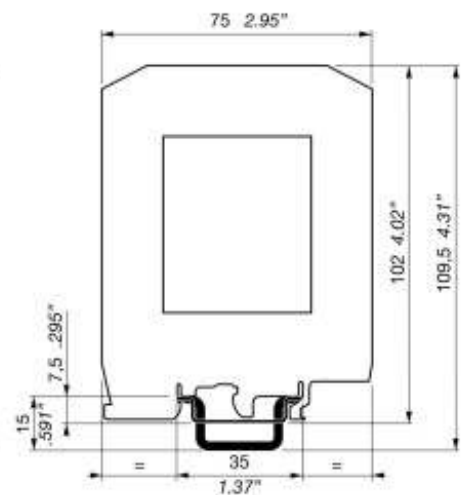
* : Max. height of components



on rail EN 50035
35 x 7,5



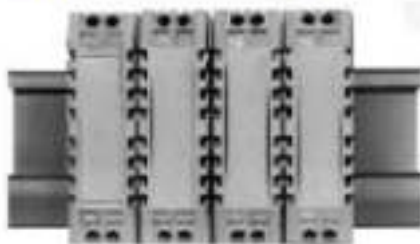
on rail EN 50022



quick-connect tab
terminal dimensions

horizontal assembly

A



vertical assembly

B

