

□ Function & Features

- Provides a standard DC output proportional to a potentiometer or slidewire position input
- Constant current excitation
- Front-programmable 4-digit LED display
- Four-way isolation (input/output1/output2/power)
- Protection Input and output TVS diode
- Analog One or Two outputs (independent output module)
- Universal power input
- Power fuse (240V/0.12A)

□ Input & Output

- INPUT : Potentiometer
  - Max. measuring Range:  
Resistance : 100Ω ~ 200 KΩ
- Two Independent Outputs
  - DC Current : 0(4)~20 mA DC max. ( Load resistance : 600Ω max. )
  - DC Voltage : -10V min. ~ +10V DC max. ( Load Resistance : 10 KΩ or more )
  - 2-Wire Transmitter(4~20mA DC), supply out voltage (9 V ~ 35 V DC)
  - Easy Calibration of the Gain (Max. ±5% of F.S) and Offset(Max. ±5% of F.S)



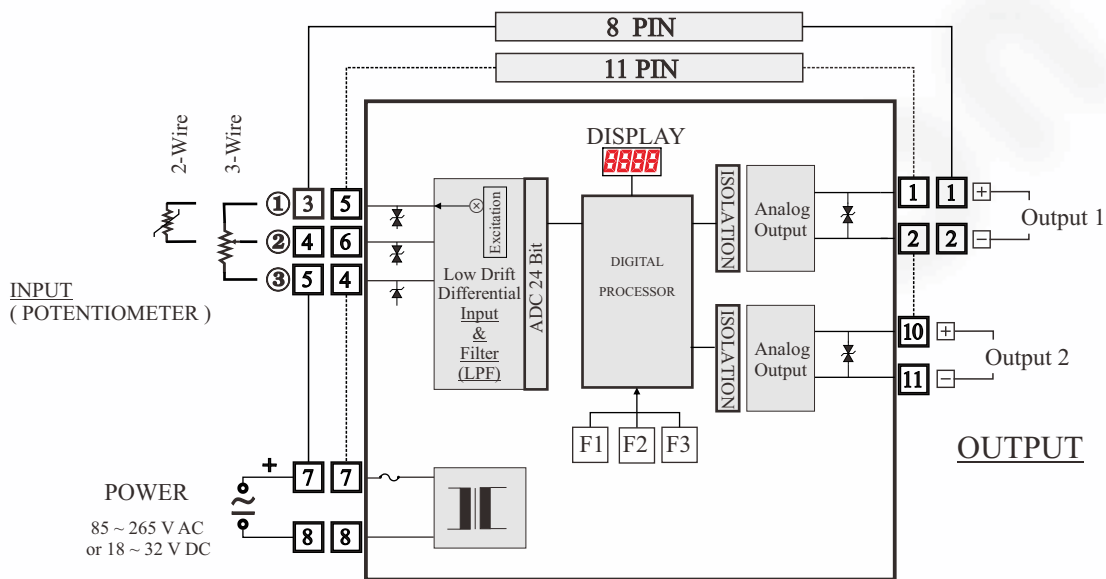
□ INSTALLATION

- Power supply : AC 85 ~ 265V or DC 18 ~ 32V ( about 3VA)
- Operating temperature : -5 ~ 55 °C (23 ~ 131 °F)
- Operating humidity : 10 ~ 90 % RH (non-condensing)
- Construction : Plug-in
- Connection : M3.5 Screw terminals
- Housing material : flame-retardant Poly Carbonate (Black)
- Dimension : W52 x H77 x D112mm (2.04" x 3.03" x 4.40")
- Weight : about 320g

□ PERFORMANCE

- Accuracy : < ± 0.1 %
- Temp. coefficient : < ± 0.015 % /°C
- Response time : < 0.3 Sec. (0~90%, DC input) Filter set to the '0'
- Insulation resistance : 100 MΩ whit 500VDC
- Dielectric strength : AC 2000V / Min.
- Isolation : Input / Output 1 / Output 2 / Power
- Display range : 4 Digits (-1999 ~ 9999)

SCHEMATIC CIRCUIT & CONNECTION DIAGRAM



MODEL & SUFFIX CODE

NPMC-

**Input Type Selection**

- A : POTENTIOMETER 3-Wire : 100Ω~200 KΩ ( Auto-select )
- B : POTENTIOMETER 2-Wire : 100Ω~200 KΩ \*\* ( Decision when ordering )
- R : Other Special Spec.

**Output Type & Range Selection (Available for Output 1 & Output 2)**

- 0 : Not Used
- 1 : DC 4~20mA (Load Resistance : 0~600 Ω)
- 2 : DC 0~20mA (Load Resistance : 0~600 Ω)
- 3 : DC 1~5V (Load Resistance : 5 KΩ or more)
- 4 : DC 0~5V (Load Resistance : 5 KΩ or more)
- 5 : DC 2~10V (Load Resistance : 10 KΩ or more)
- 6 : DC 0~10V (Load Resistance : 10 KΩ or more)
- 7 : DC -5~+5V (Load Resistance : 10 KΩ or more)
- 8 : DC -10~+10V (Load Resistance : 10 KΩ or more)
- 9 : 2-Wire Transmitter(4~20mA DC) (9V ~ 35V DC)
- A : Frequency output( Voltage )
- B : Frequency output(Open Collect(Drain))
- R : Other Special Spec.

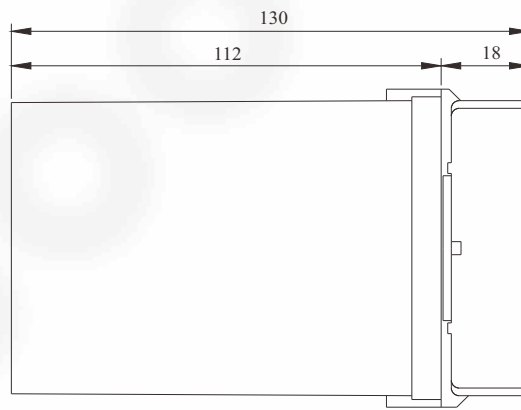
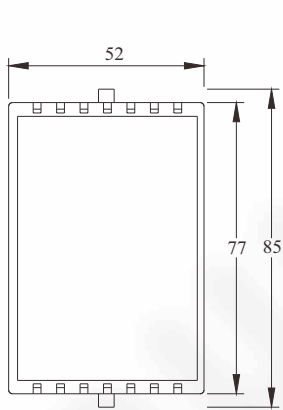
**Power Supply**

- Z : AC 85~265V
- Y : DC 18~32V
- R : Other Special Spec.

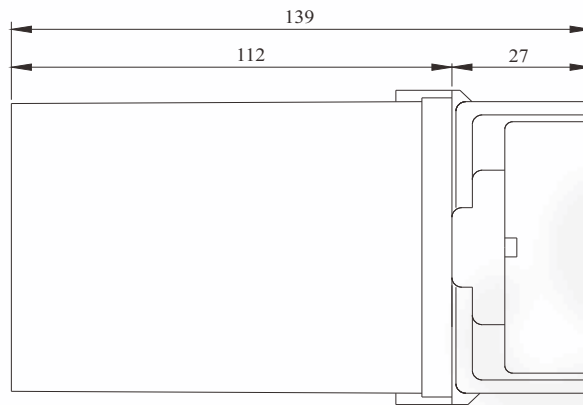
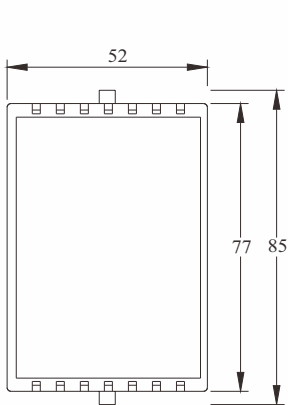
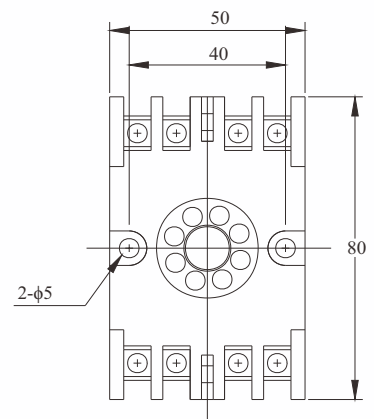
**Socket**

- A : 8 PIN
- B : 11 PIN

**DEMENSION**



( 8 PIN SOCKET )



( 11 PIN SOCKET )

