

□ Function & Features

- Accepting a bridge type strain gauge utilized in load cell, pressure transducers
- Converting a DC input into two isolated process signals
- Front-programmable 4-digit LED display
- Four-way isolation (input/output1/output2/power)
- Protection Input and output TVS diode
- Analog One or Two outputs (independent output module)
- Universal power input
- Power fuse (240V/0.12A)



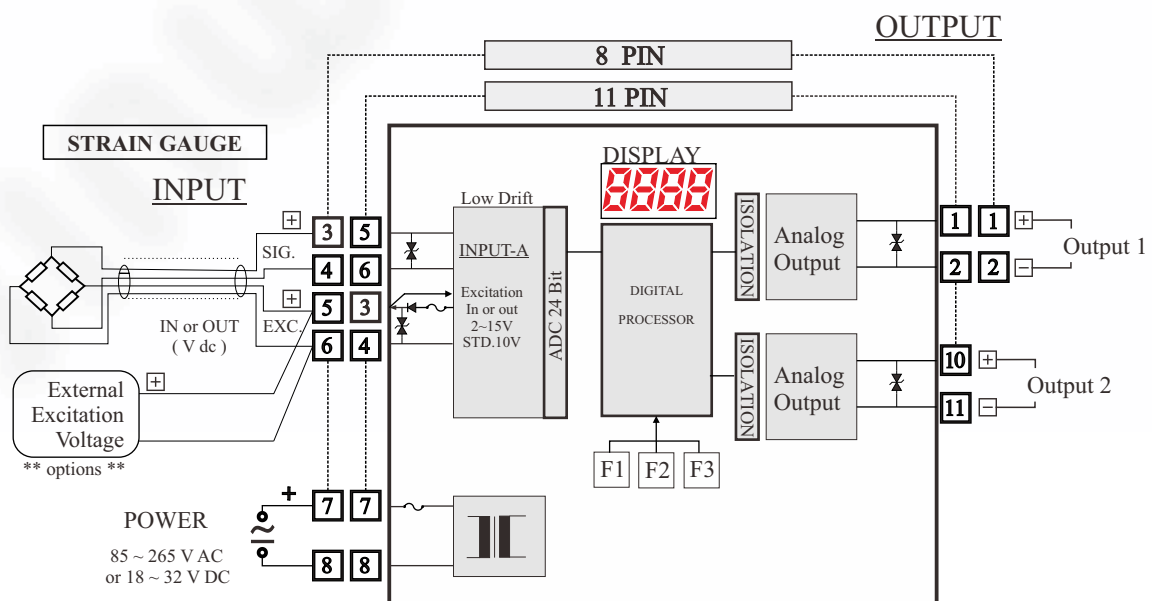
□ Input & Output

- INPUT : Strain gauge, Load cell
 - Input range (DC 0.1mV~10.0 mV) / V
- Two Independent Outputs
 - DC Current : 0 ~ 20 mA DC max. (Load resistance : 600Ω max.)
 - DC Voltage : -10V min. ~ +10V DC max. (Load Resistance : 10 KΩ or more)
 - 2-Wire Transmitter(4~20mA DC), supply out voltage (9 V ~ 35 V DC)
 - Easy Calibration of the Gain (Max. ±5% of F.S) and Offset(Max. ±5% of F.S)

□ GENERAL SPECIFICATIONS

- Construction : Plug-in
- Connection : M3.5 Screw terminals
- Housing material : flame-retardant Poly Carbonate (Black)
- Power supply : AC 85 ~ 265V or DC 18 ~ 32V (about 3VA)
- Operating temperature : -5 ~ 55 °C (23 ~ 131 °F)
- Operating humidity : 10 ~ 90 % RH (non-condensing)
- Isolation : Input / Output 1 / Output 2 / Power
- Display range : 4 Digits (-1999 ~ 9999)
- Dimension : W52 x H77 x D112mm (2.04" x 3.03" x 4.40")
- Weight : about 320g

SCHEMATIC CIRCUIT & CONNECTION DIAGRAM



MODEL & SUFFIX CODE

NLCT-

Input Type Selection (Available for Input A & Input B)

M : Input range setting (DC 0.1mV~10.0 mV) / V (Set by front key operation)
 ex. (DC [01.00][02.00],.....[10.0] mV / V)

R : Other Special Spec.

Output Type & Range Selection (Available for Output 1 & Output 2)

- 0 : Not Used
- 1 : DC 4~20mA (Load Resistance : 0~600 Ω)
- 2 : DC 0~20mA (Load Resistance : 0~600 Ω)
- 3 : DC 1~5V (Load Resistance : 5 KΩ or more)
- 4 : DC 0~5V (Load Resistance : 5 KΩ or more)
- 5 : DC 2~10V (Load Resistance : 10 KΩ or more)
- 6 : DC 0~10V (Load Resistance : 10 KΩ or more)
- 7 : DC -5~+5V (Load Resistance : 10 KΩ or more)
- 8 : DC -10~+10V (Load Resistance : 10 KΩ or more)
- 9 : 2-Wire Transmitter(4~20mA DC) (9V ~ 35V DC)

R : Other Special Spec.

Power Supply

- Z : AC 85~265V
- Y : DC 18~32V
- R : Other Special Spec.

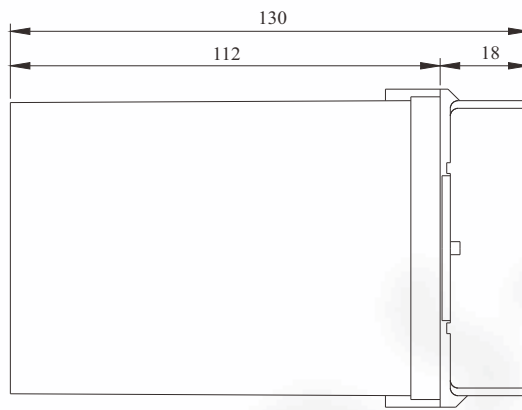
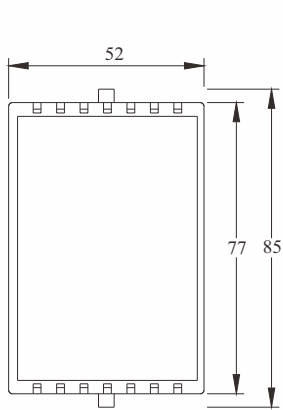
Excitation Source

- 1 : Output 5V DC (Max. 300mA)
- 2 : Output 10V DC (Max. 300mA)

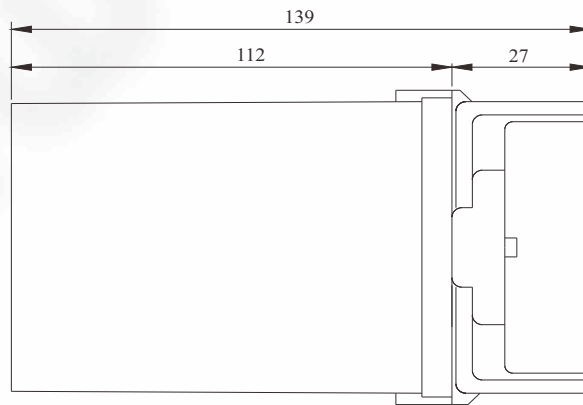
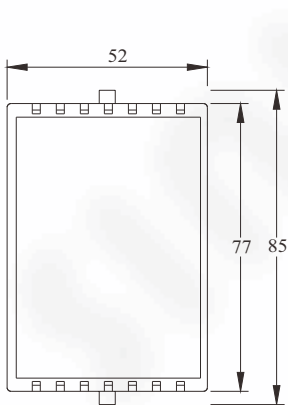
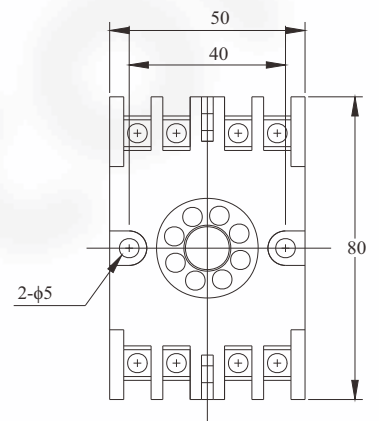
- A : Input 5 V DC
- B : Input 10 V DC

R : Specify

DEMENSION



(8 PIN SOCKET)



(11 PIN SOCKET)

