

# CONVERTER

# PDB

The Model PDB supplies power to 2-wire single loop system and outputs non-isolated DC current or voltage.

## ORDERING INFORMATION

Specify code number and variables.

- Code no. : PDB-Model/Supply/Output1/Output2-Power  
(Ex : PDB-1A2N-X)
- Special Output Range (Ex. 0~20mA)

## GENERAL SPECIFICATIONS

- Housing Material : Plastic ABS(Resin) Black
- Isolation : Output to Power



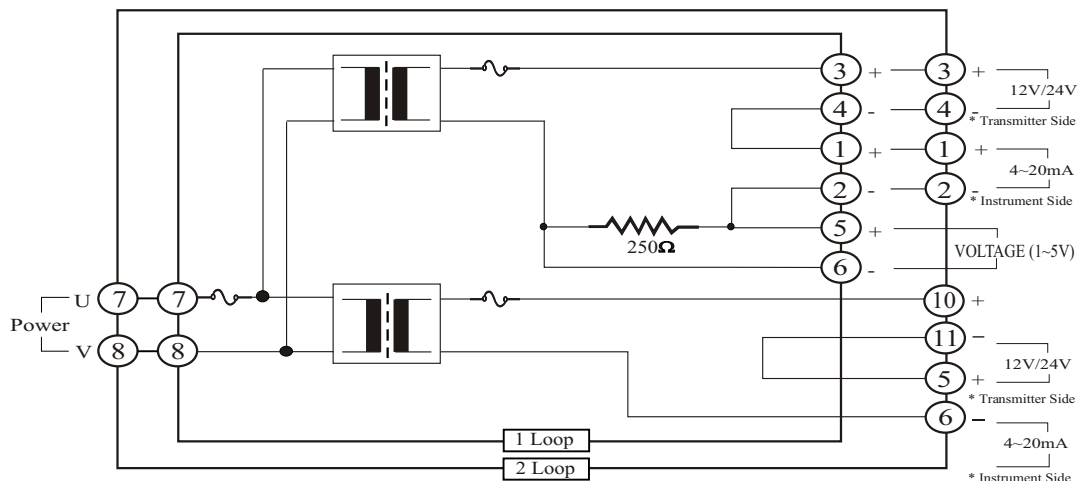
## INSTALLATION

- Power Supply : AC 100~120V or 200~230V / 60Hz (about 3VA), DC 18~30V (about 3Watts)
- Operating Temperature : -15 ~ +55 °C
- Operating Humidity : 90% RH max. (Non-condensing)
- Mounting : Wall or Rail mounting (Plu-in Type)
- Dimension : 52(W) X 77(H) X 112(D) (Unit : mm)
- Weight : about 400g

## PERFORMANCE

- Accuracy :  $\pm 0.1\%$  LESS(F.S) at 23 °C
- Temperature Coefficient :  $\pm 0.005\%$  / °C
- Insulation Resistance : 100 M or more with 500V DC between Input / Output / Power
- Dielectric Strength : 1500V AC 0.5 mA/Min (Input to Output to Power)
- Short Circuit Current : 100 mA Max.
- Permissible Short-circuit Duration : Limited at about 30 mA

## SCHEMATIC CIRCUIT & CONNECTION DIAGRAM



# Power Distributer

## MODEL & SUFFIX CODE

PDB-□□□□-□

### Model Type Selection

- 1 : Plug-In Type with 1 Loop
- 2 : Plug-In Type with 2 Loop

### Supply Type & Range

- A : 12V DC 70mA Max. 30mA limited
- B : 24V DC 35mA Max. 30mA limited
- R : Other Special Spec.

### Output Type & Range Selection

- 1 : DC 4~20mA / 1~5V (Output 1 Only)
- 2 : DC 1~5V (Output 1, Output 2)
- 3 : DC 4~20mA (Output 1, Output 2)
- R : Other Special Spec.

### Power Supply

- W : AC 200~230V for 60 Hz
- X : AC 100~120V for 60 Hz
- Y : DC 18~30V
- Z : Other Special Spec.

## DIMENSION

