

□ Function & Features

- Accepting direct input from a thermocouple and providing two isolated process signals
- linearization
- Burnout protection
- High-accuracy cold junction compensation
- Front-programmable 4-digit LED display
- Four-way isolation (input/output1/output2/power)
- Input and output TVS protection
- Analog One or Two outputs (independent output module)
- Universal power input
- Power fuse (240V/0.12A)



□ Input & Output

- INPUT : thermocouples

- Temperature range
- T/C type E : -200 ~ +1000 °C
- T/C type J : -210 ~ +1200 °C
- T/C type K : -200 ~ +1372 °C
- T/C type N : -200 ~ +1300 °C
- T/C type R : -50 ~ +1768 °C
- T/C type T : -200 ~ +400 °C
- T/C type S : -50 ~ +1768 °C
- T/C type B : 250 ~ +1820 °C

- OUTPUTS(two)

- DC Current : 0(4)~20 mA DC max. (Load resistance : 600Ω max.)
- DC Voltage : -10V min. ~ +10V DC max. (Load Resistance : 10 KΩ or more)
- 2-Wire Transmitter(4~20mA DC), supply out voltage (9 V ~ 35 V DC)
- Easy Calibration of the Gain (Max. ±5% of F.S) and Offset(Max. ±5% of F.S)

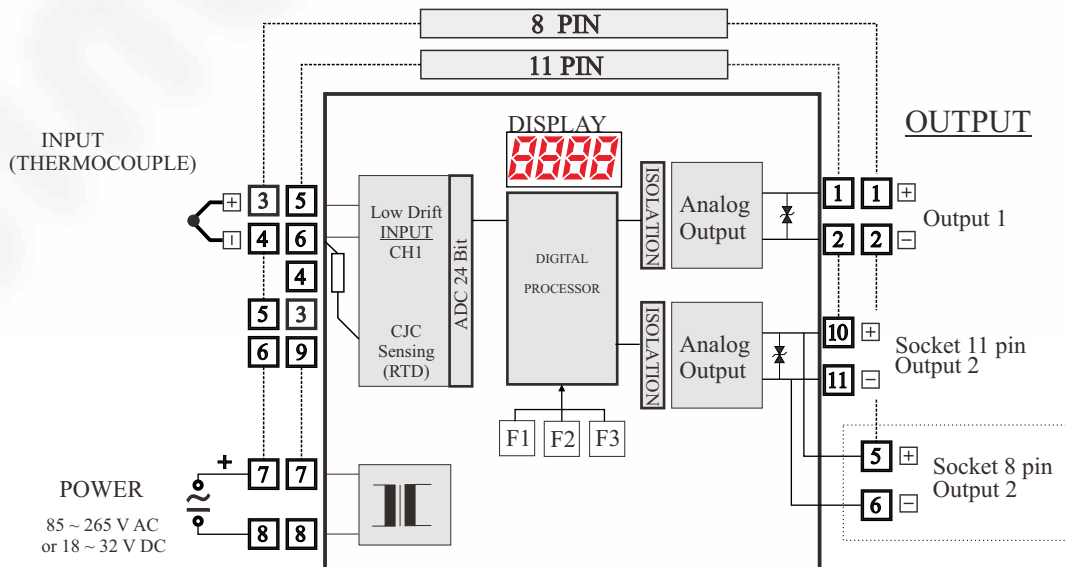
□ INSTALLATION

- Power supply : AC 85 ~ 265V or DC 18 ~ 32V (about 3VA)
- Operating temperature : -5 ~ 55 °C (23 ~ 131 °F)
- Operating humidity : 10 ~ 90 % RH (non-condensing)
- Construction : Plug-in
- Connection : M3.5 Screw terminals
- Housing material : flame-retardant Poly Carbonate (Black)
- Dimension : W52 x H77 x D112mm (2.04" x 3.03" x 4.40")
- Weight : about 320g

□ PERFORMANCE

- Accuracy : ±0.1 %
- Temp. coefficient : ±0.015 % / °C
- Response time : ±0.3 Sec. (0~90%, DC input) Filter set to the '0'
- Insulation resistance : 100 MV whit 500VDC
- Dielectric strength : AC 2000V / Min.
- Isolation : Input / Output 1 / Output 2 / Power
- Display range : 4 Digits (-1999 ~ 9999)

SCHEMATIC CIRCUIT & CONNECTION DIAGRAM



MODEL & SUFFIX CODE

NTC-

Input Type Selection

-Input Type & Temperature range

- E : type E (-200.0 ~ +1000.0 °C) DIN EN 60584
- J : type J (-210.0 ~ +1200.0 °C) DIN EN 60584
- K : type K (-200.0 ~ +1372.0 °C) DIN EN 60584
- N : type N (-200.0 ~ +1300.0 °C) DIN EN 60584
- R : type R (- 50.0 ~ +1768.0 °C) DIN EN 60584
- T : type T (-200.0 ~ +400.0 °C) DIN EN 60584
- S : type S (- 50.0 ~ +1768.0 °C) DIN EN 60584
- B : type B (250.0 ~ +1820.0 °C) DIN EN 60584

O : Other Special Spec.

Output Type & Range Selection (Available for Output 1 & Output 2)

- 0 : Not Used
- 1 : DC 4~20mA (Load Resistance : 0~600 Ω)
- 2 : DC 0~20mA (Load Resistance : 0~600 Ω)
- 3 : DC 1~5V (Load Resistance : 5 KΩ or more)
- 4 : DC 0~5V (Load Resistance : 5 KΩ or more)
- 5 : DC 2~10V (Load Resistance : 10 KΩ or more)
- 6 : DC 0~10V (Load Resistance : 10 KΩ or more)
- 7 : DC -5~+5V (Load Resistance : 10 KΩ or more)
- 8 : DC -10~+10V (Load Resistance : 10 KΩ or more)
- 9 : 2-Wire Transmitter(4~20mA DC) (9V ~ 35V DC)

R : Other Special Spec.

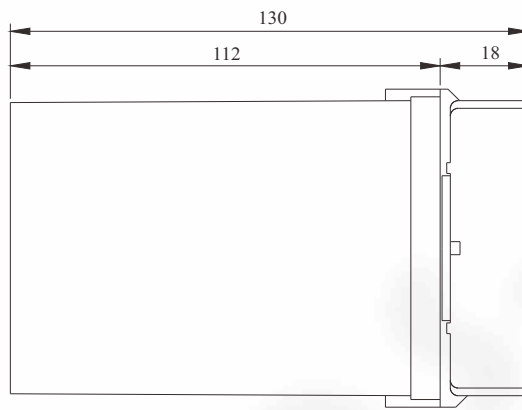
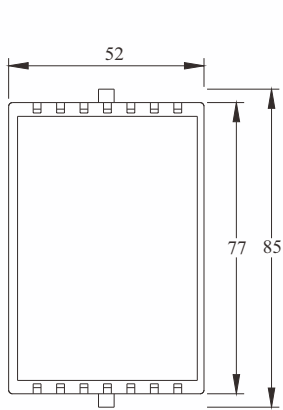
Power Supply

- Z : AC 85~265V
- Y : DC 18~32V
- R : Other Special Spec.

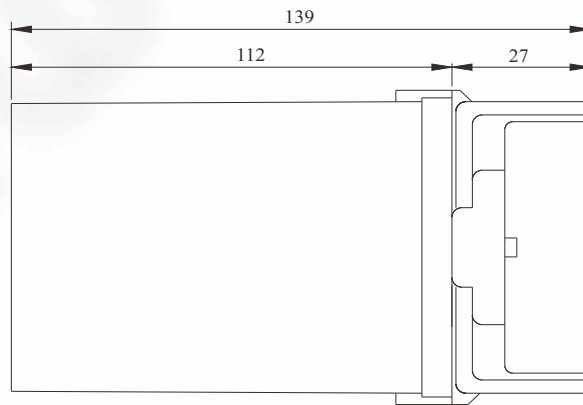
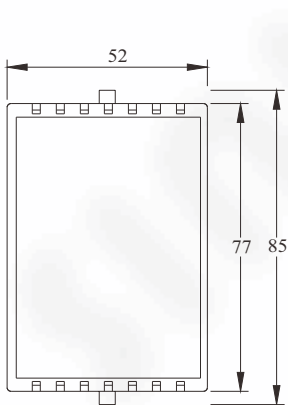
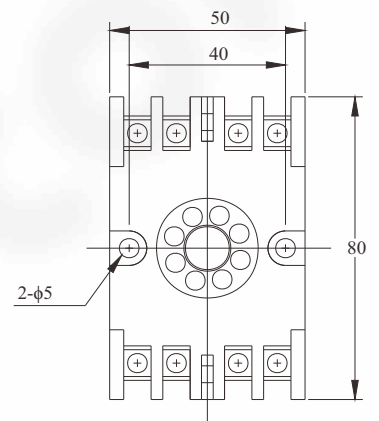
Socket

- A : 8 PIN
- B : 11 PIN

DEMENSION



(8 PIN SOCKET)



(11 PIN SOCKET)

